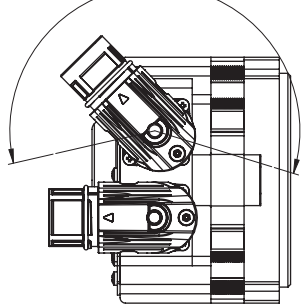


Connector rotatable >210°

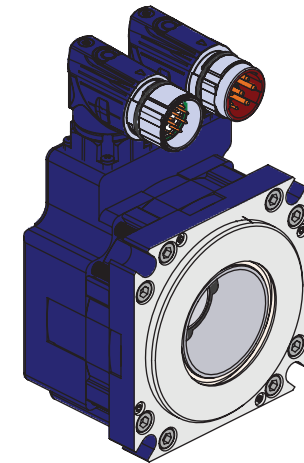
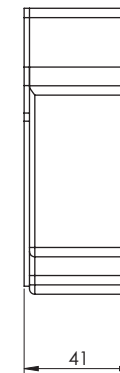
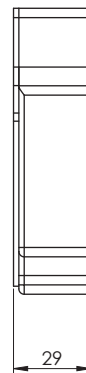
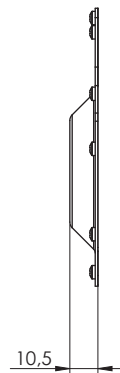
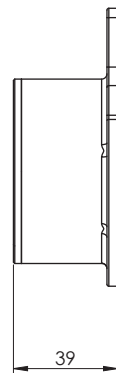


SICK SinCos Transducer
SRS/SRM50 (Hiperface)

Resolver And
Heidenhain
EB1118 (EnDat)

Heidenhain
EC11319
EQ11331

Heidenhain
ECN1313 (EnDat)
ECN1325 (SiL)
ERN1385
EQN1325 (EnDat)
EQN1337 (SiL)



ICM09 LV		
Type	J	N*
L=	59,6	87,3
Incl. Brake L=	85,1	112,7

Other feedback options are available upon request.

*ICM09N LV is only available with fixed cables.
Specifications can be changed without notice.



DRAWING: **ICM09 LV (Low Voltage)**
Mechanical Specifications

A3