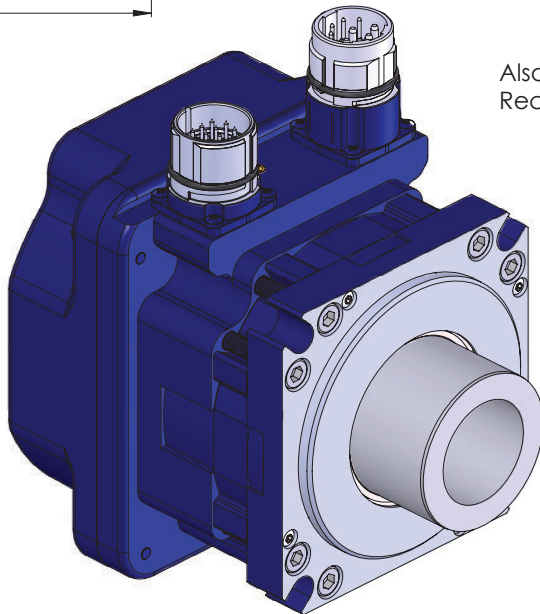
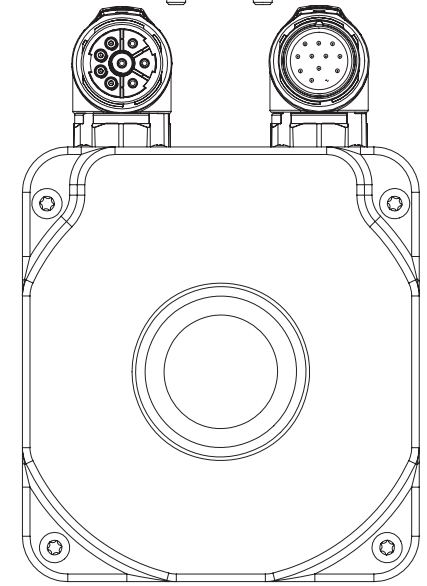
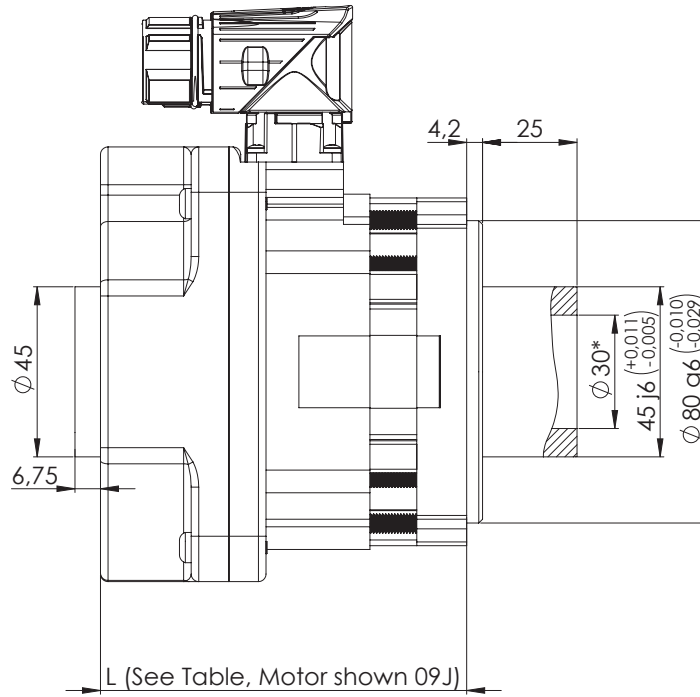


Angled receptacles are rotatable 210°

Optional Connector for $\phi 6$ airtube



Also available with straight Receptacles

Hollow Shaft Motor HSM09 LV			
Type	J	N*	
L=	96,9	124,5	
Options			
*Optional hollow bore up to $\phi 40$			
IP Class upon request			

*HSM09N LV is only available with fixed cables. Specifications can be changed without notice.



DRAWING:

**HSM09 LV (Low Voltage)
MECHANICAL SPECIFICATIONS**

A2