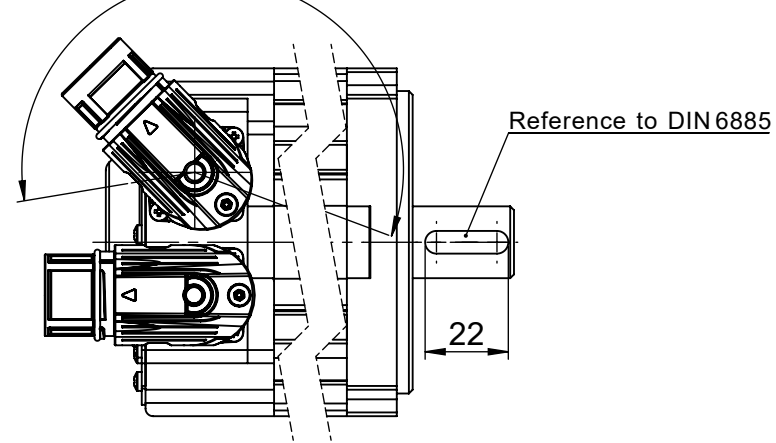


Connector Rotatable >210°

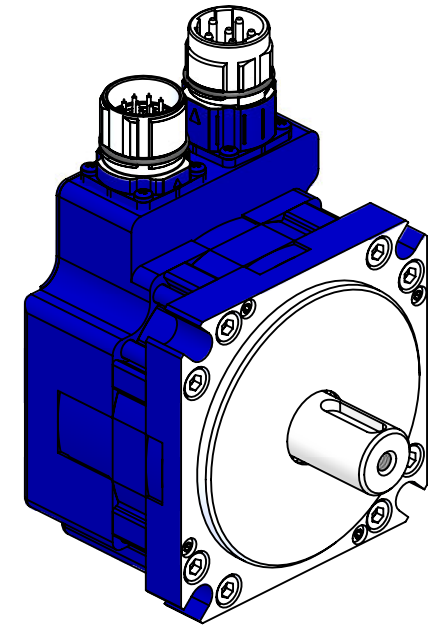
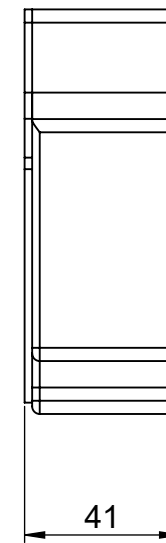
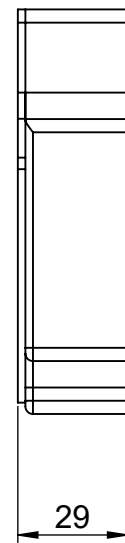
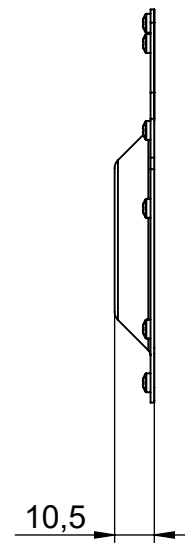
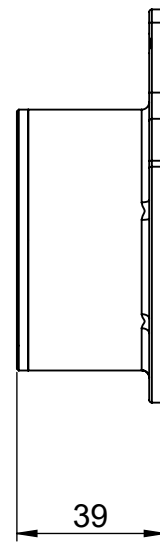


SICK SinCos Transducer
SRS/SRM50 (Hiperface)

Resolver And
Heidenhain
ECI118 (EnDat)

Heidenhain
ECI1319
EQI1331

Heidenhain
ECN1313 (EnDat)
ECN1325 (SIL)
ERN1385
EQN1325 (EnDat)
EQN1337 (SIL)



Other feedback-optionsavailable upon request.

HDD09 LV			
Type	E	J	N*
L=	47,2	59,6	87,2
Incl. Brake L=	72,7	85,1	112,7

*HDD09N LV is only available with fixed cables.
Specifications can be changed without notice.



DRAWING:

**HDD09 LV (Low Voltage)
Mechanical Specifications**

A3