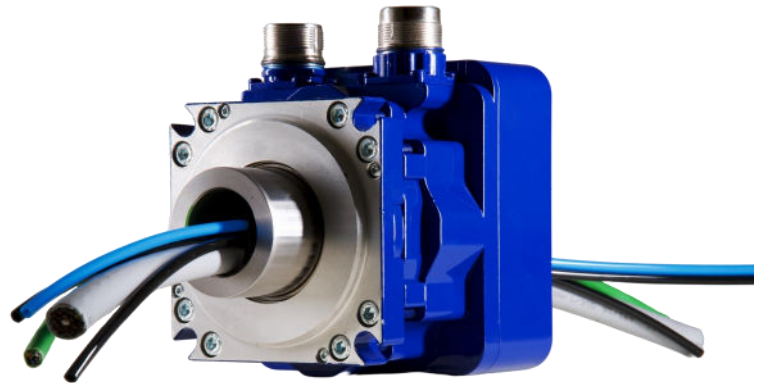


ULTRA COMPACT MOTORS



HSM Hollow Shaft Low Voltage Motors

Compact

- Ultra Compact Design
- Integrated Feedback
- Hollow shaft up to 40mm
- Easy mounting

Reliable

- Maintenance free
- Robust construction
- High protection class
- Accurate positioning

Powerful

- High torque
- Low inertia
- High torsional stiffness
- Low weight



Industries

- Military
- Marine
- Robotics
- AGV's
- Battery supported vehicles
- Mobile machinery

The HSM 09 Low Voltage Motors are built with the same technology as our traditional AC servomotors. However, they have a coarser winding to cope the higher currents when controlled by a low voltage servo drive. Suitable for battery operated applications such as AGVs, robotics, mobile machinery and other applications traditionally using DC servo motors.

The HSM motor comes with a 30mm diameter hollow shaft (up to $\varnothing 40\text{mm}$ as option). The hollow shaft allows for example axles, cables, fluids or laser beams to be passed through the motor.

The motors have 92 frame size and a torque range from 2.3Nm to 3.6Nm (low speed), rated 3000rpm and wound for 48V. The HSM motors comes as standard with Endat ECI/EBI-encoder.

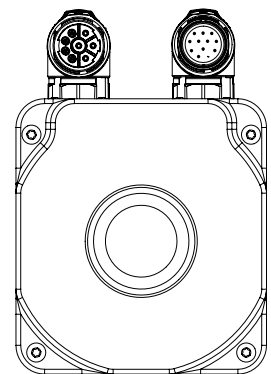
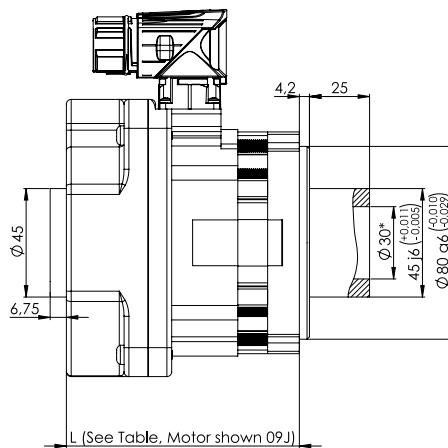
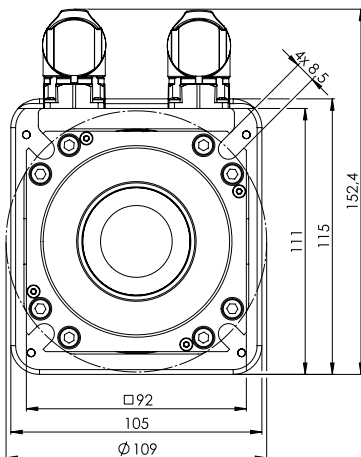
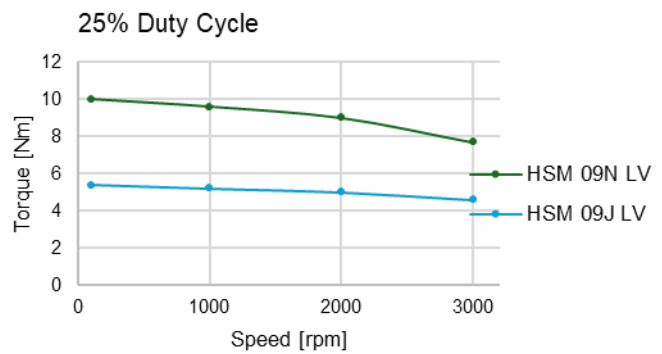
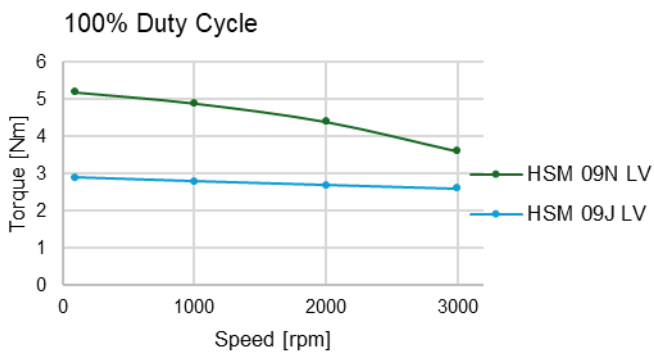
All motors can be supplied with customized pin-out, measuring thermistor, protection level, air pressurized etc. Other customization like special flange, shaft length, windings, adaptation for ball screws etc. can be made on request.

Please see <http://www.hddservo.com> for more details and other motor models.

Technical data

Type	Torque		Speed n	Winding Fa (48V)		Length*		Mass [kg]	Inertia [kgcm ²]
	MO	Mn		IO	In	w/o brake	with brake		
	[Nm]	[Nm]		[A rms]	[A rms]	[mm]	[mm]		
HSM09J LV	2.8	2.3	3000	28	28	96.9	-	3.3	5.1
HSM09N LV	5.2	3.6	3000	47	40	124.5	-	3.8	7.8

* Housing length without outgoing shaft



Specifications can be changed without notice. Reservation for printing error.