

ULTRA COMPACT MOTORS



HDD 09 Solid Shaft Low Voltage Motors

Compact

- Ultra Compact Design
- Integrated Feedback
- Solid 19mm shaft
- Easy mounting

Reliable

- Maintenance free
- Robust construction
- High protection class
- Accurate positioning

Powerful

- High torque
- Low inertia
- High torsional stiffness
- Low weight



Industries

- Military
- Marine
- Robotics
- AGV's
- Battery supported vehicles
- Mobile machinery

The HDD 09 Solid Shaft Low Voltage Motors are built with the same technology as our traditional AC servomotors. However, they have a coarser winding to cope the higher currents when controlled by a low voltage servo drive. Suitable for battery operated applications such as AGVs, robotics, mobile machinery and other applications traditionally using DC servo motors.

The motors have 92 mm frame size, a torque range from 1.2Nm to 5.2Nm (low speed), rated 3000rpm and wound for 48V. The motors can be supplied with or without brake.

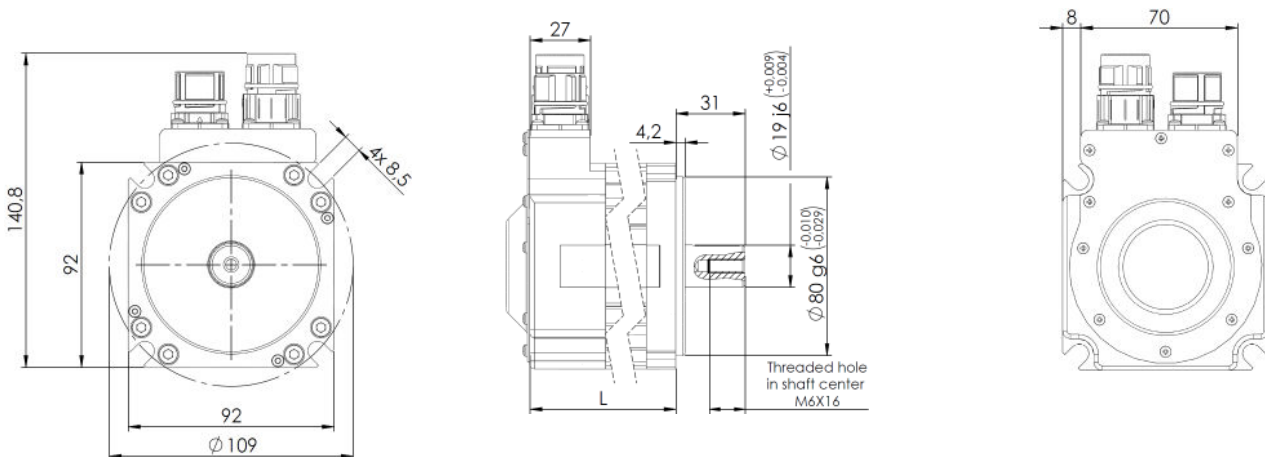
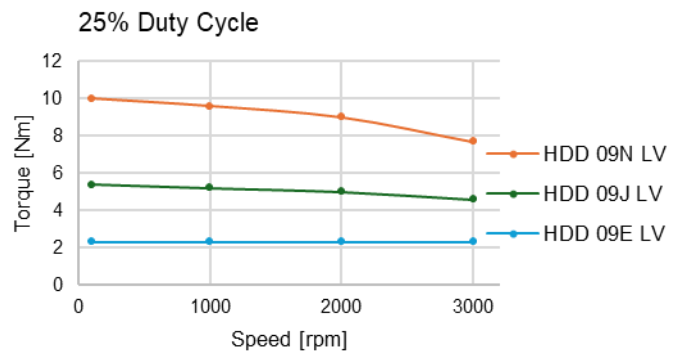
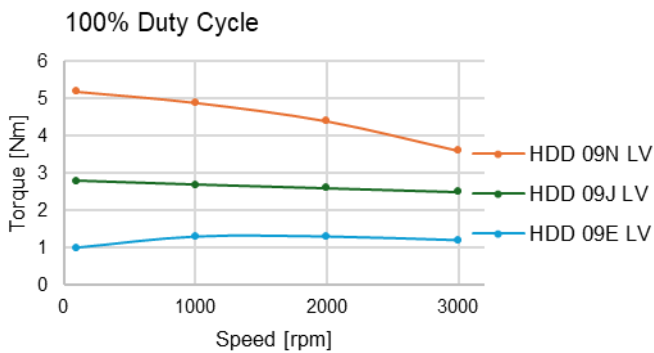
The standard motor is equipped with keyway, straight connectors, resolver feedback, PTC thermal sensor and IP-65 protected. As option the motor can be ordered with a variety of feedback systems, angled connectors, without keyway, IP-67 protected and with pressurized air connection.

Please see <http://www.hddservo.com> for more details and other motor models.

Technical data

Type	Torque		Speed n	Winding Fa (48V)		Length*		Mass**	Inertia**
	MO	Mn		IO	In	w/o brake	with brake		
	[Nm]	[Nm]		[A rms]	[A rms]	[mm]	[mm]		
HDD09E LV	1.3	1.2	3000	17	16	47.2	72.7	1.8	1.3
HDD09J LV	2.8	2.3	3000	28	28	59.6	85.1	2.4	2.8
HDD09N LV	5.2	3.6	3000	47	40	87.2	112.7	3.6	6.1

* Housing length without outgoing shaft and feedback cover. **With resolver feedback and without brake.



Specifications can be changed without notice. Reservation for printing error.