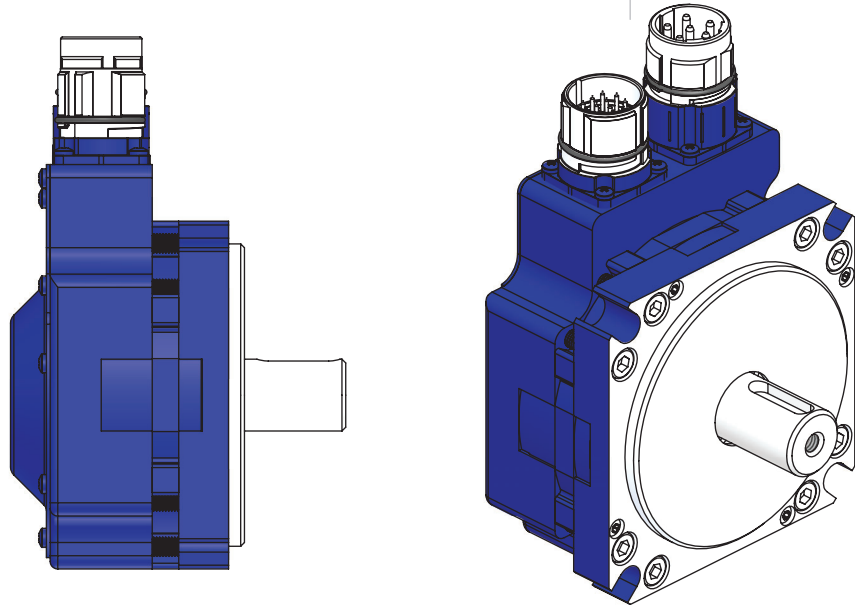


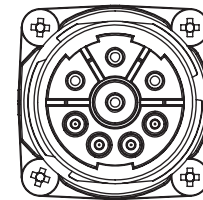
**HDD09/HDT09
ICM09/HSM09**

Top Mounted
Straight Receptacles

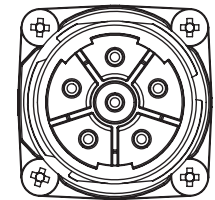


Standard power receptacle pin options

Other receptacles available upon request.



4+3+PE



5+PE

**HDD09/HDT09
ICM09/HSM09**

Top Mounted
Angled Receptacles
(Rotatable 210°)

