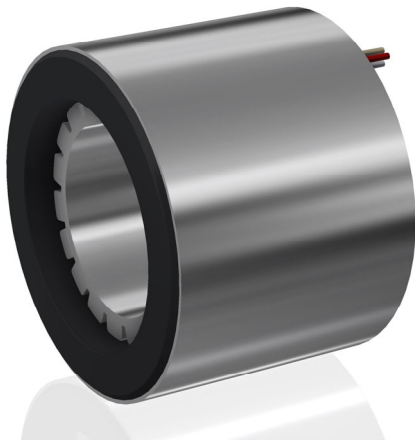


Open Frame Servo Motors



HDD offers open frame or frameless motors for direct integration in your application.

Integrating the stator direct into your housing reduces size and weight. It is ideal for machine designs that require high performance in even smaller spaces than possible with HDD's compact motors. This is possible because the traditional housing, motor mounting brackets, coupling, and in some cases, external bearings can be eliminated. The frameless motor solution also lowers the cost when integrated directly into your transmission components.

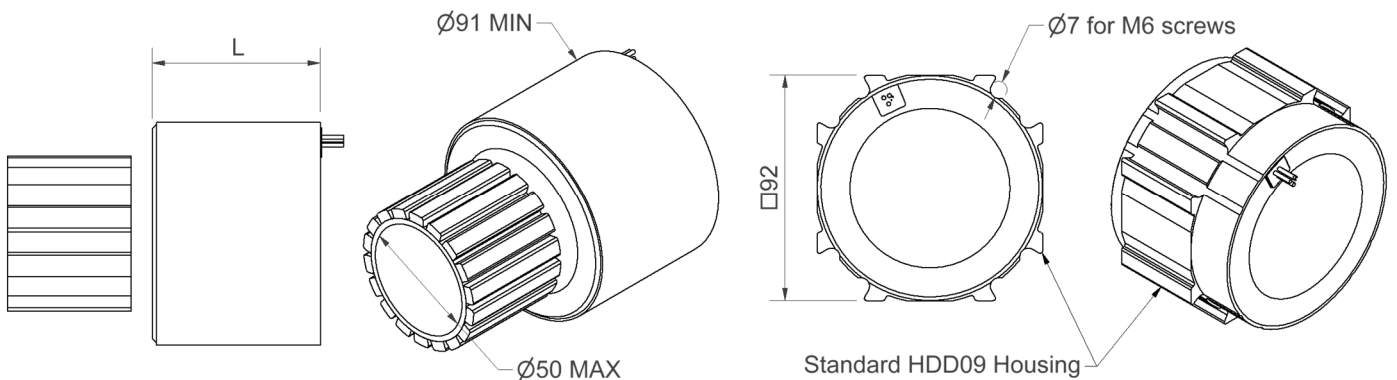
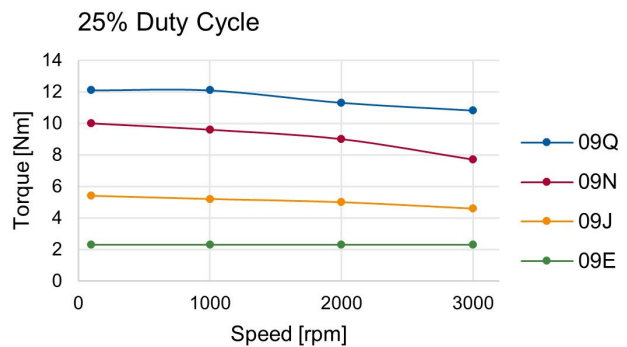
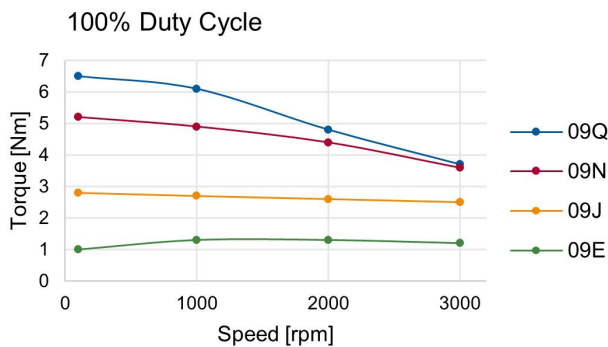
Stators are available with standard HDD09 housing or machined down to $\varnothing 91$ MIN.

HDD can adapt both stator and rotor for your specific need. Please contact us for further information.

Please see <http://www.hddservo.com> for more details and other motor models.

Technical data

Type	Torque		Speed n [rpm]	Winding Ma (230 VAC)		Winding Pa (400 VAC)		Length [L] [mm]
	M0	Mn		I0	In	I0	In	
	[Nm]	[Nm]		[A rms]	[A rms]	[A rms]	[A rms]	
09E	1.3	1.2	3000	2.8	2.7	1.2	1.1	29.3
09J	2.8	2.3	3000	4.3	4.0	2.5	2.3	41.5
09N	5.2	3.6	3000	7.4	6.3	3.9	3.3	70
09Q	6.5	4.8	2000	-	-	5.3	3.0	91.7



Specifications can be changed without notice. Reservation for printing error.