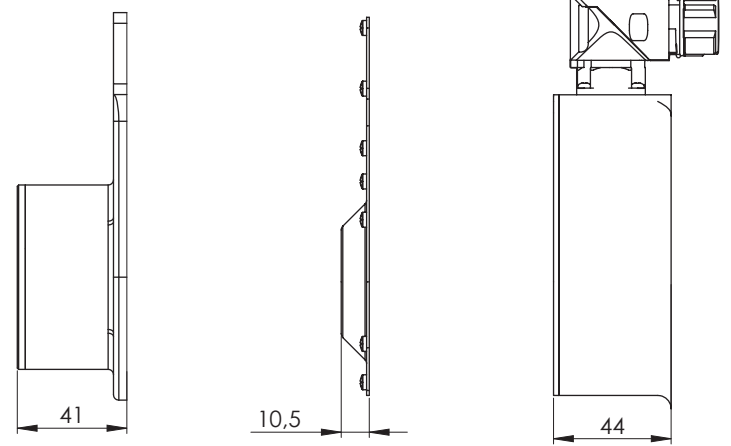


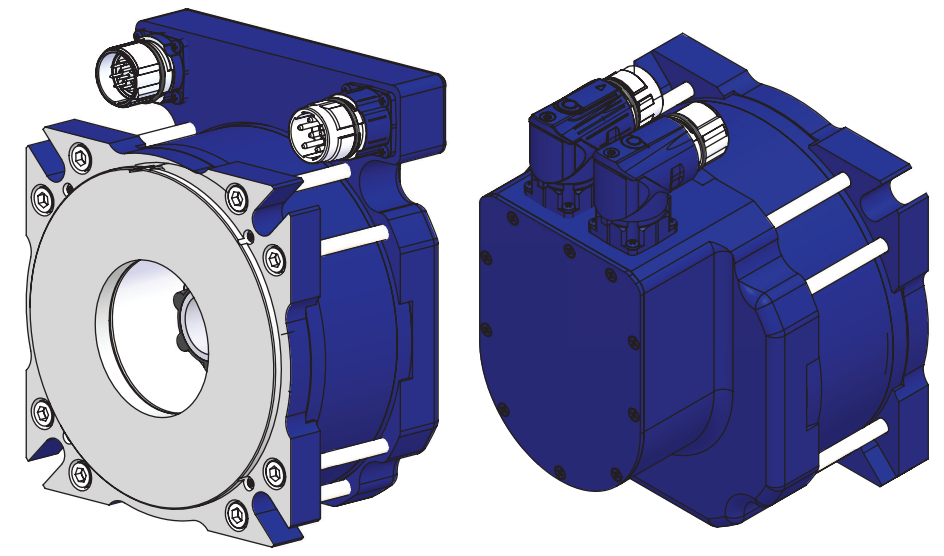
SICK SinCos Transducer
SRS/SRM50 (Hiperface)

Resolver and
Heidenhain EBI1135 (EnDat)

Heidenhain
ECN1313 (EnDat)
ECN1325 (SIL)
ERN1385
EQN1325 (EnDat)
EQN1337 (SIL)



Many other feedback options are available upon request.



ICM14		
Type	J	N
L (mm)	80,9	114,1
Incl. Brake L (mm)	N/A	114,1

Specifications can be changed without notice



DRAWING:

ICM14 Mechanical Specifications

A3