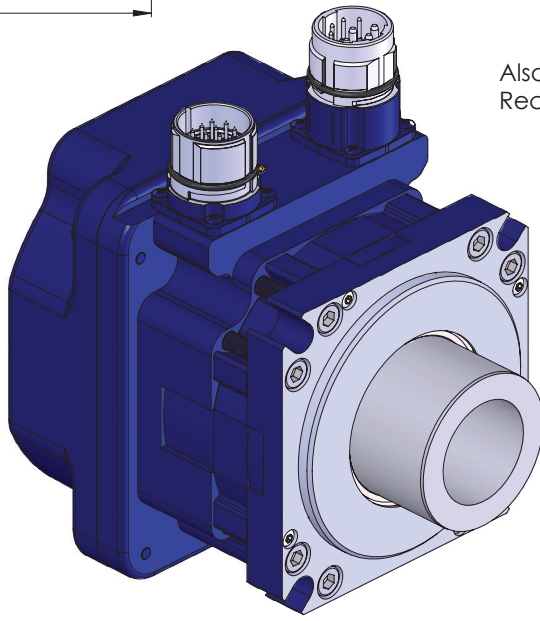
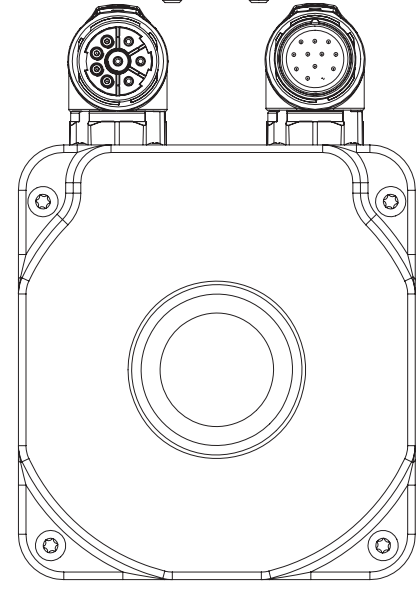
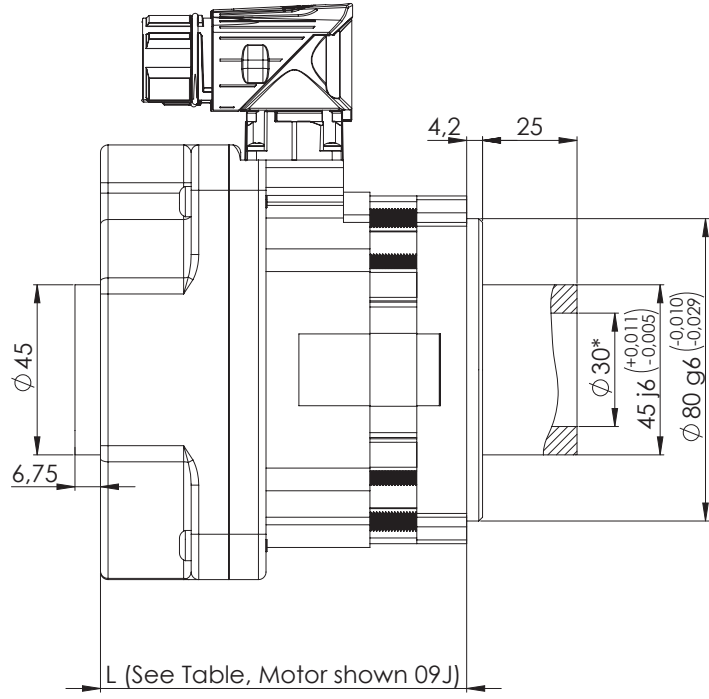


Angled receptacles are rotatable 210°

Optional Connector for $\phi 6$ airtube



Also available with straight Receptacles

Hollow Shaft Motor HSM09			
Type	J	N	Q
L=	96,9	124,5	146,9
Options			
*Optional hollow bore up to $\phi 40$			
IP Class upon request			

Specifications can be changed without notice