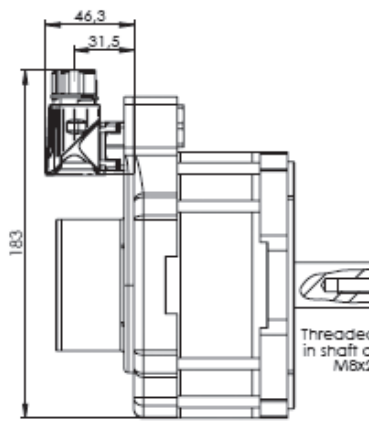
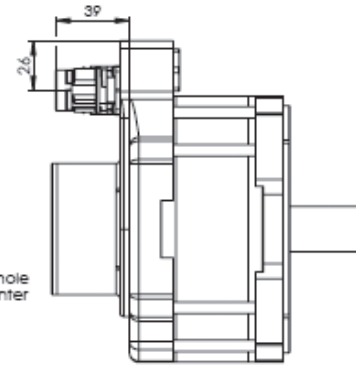


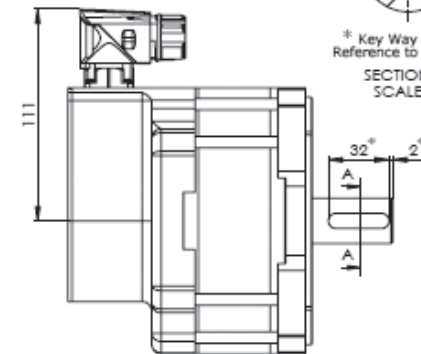
Resolver (Angled, front mounted receptacle)



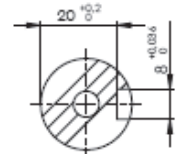
SinCos transducer (Angled, rear mounted receptacle)



SinCos transducer (Straight, rear mounted receptacle)

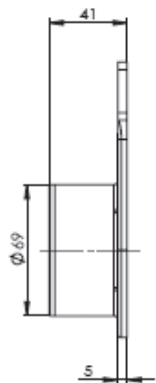


ERN1385 transducer (Angled, top mounted receptacle)



* Key Way Optional
Reference to DIN 6885
SECTION A-A
SCALE 1 : 1

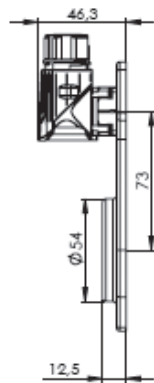
SICK SinCos transducer
SRS/SRM50 (Hiperface)



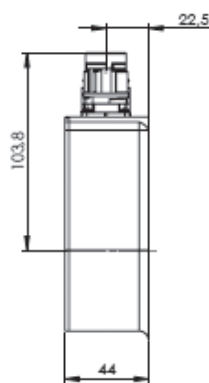
Resolver And
Heidenhain
EBI1135 (EnDat)



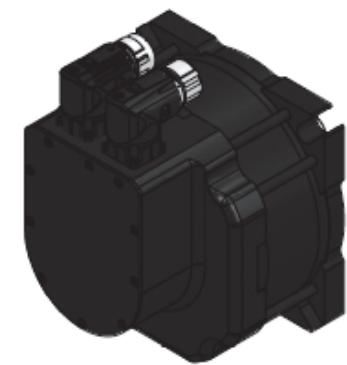
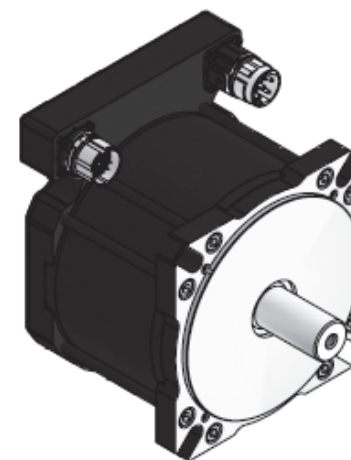
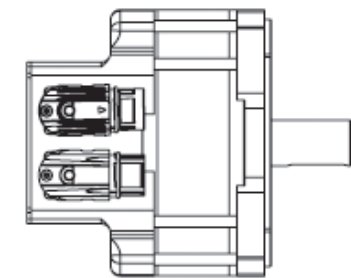
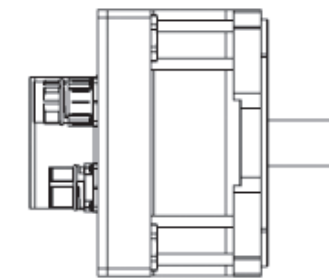
Resolver And
Heidenhain
EBI1135 (EnDat)
(Rear Mounted Receptacles)



Heidenhain
ECN1313 (EnDat)
ECN1325 (SIL)
ERN1385
EQN1325 (EnDat)
EQN1337 (SIL)



Other feedback options available upon request.



HDD14				
Type	J	N	Q	R
L (No brake)	80,9	114,1	146,5	179,7**
L (D-brake, 9 Nm)	80,9	114,1		
L (E-brake, 18 Nm)	114,1**	146,5**	179,7**	

Specifications can be changed without notice

** Preliminary data



DRAWING:

HDD14 MECHANICAL SPECIFICATIONS

A2